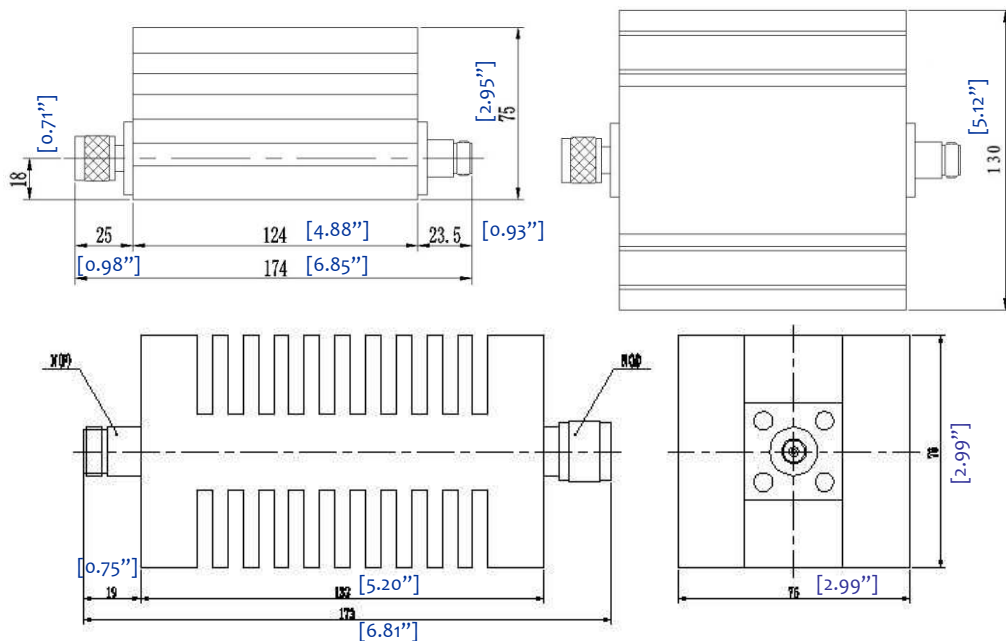


# 100W HIGH POWER FIXED ATTENUATOR --- RFS100GXC

<b>1.0</b>	<b>Mechanical Specifications</b>	
<b>1.1</b>	<b>Coaxial Connector</b>	<b>N.7/16</b>
<b>1.2</b>	<b>Size</b>	<b>A: 174 × 130 × 75mm (6.85" x 5.12" X 2.95") B: 173 × 76 × 76mm (6.81" X 2.99" X 2.99")</b>
<b>1.3</b>	<b>Weight</b>	<b>A. 1.5KG B. 1.45kg</b>
<b>1.4</b>	<b>External Body Finish</b>	<b>Body painted with gray/black epoxy enamel</b>



## 3.0 Electrical Specifications

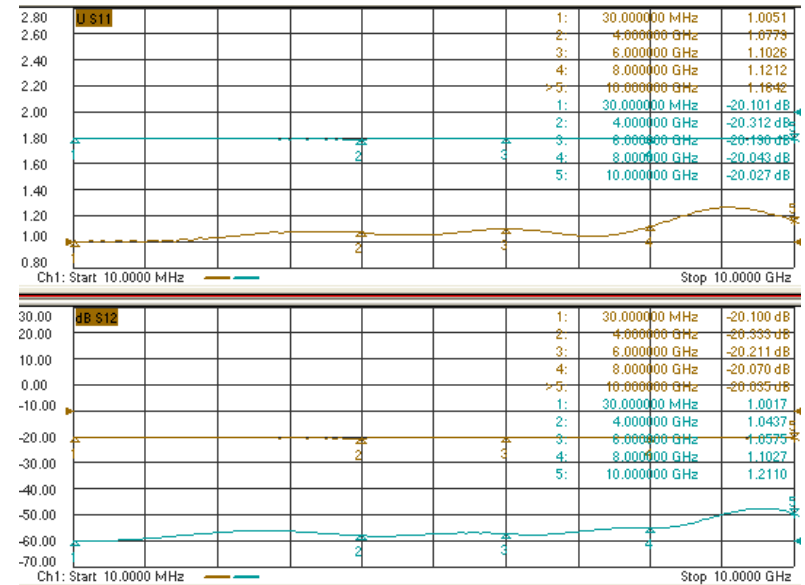
PN	Frequency (GHz)	VSWR (max.)	Attenuation Accuracy (dB)				Power (CW)	Peak Power (KW)
			10	20	30	40~50		
RFS100G6C	DC-6GHz	1.30	/	± 0.75	± 0.75	± 0.75	100	5
RFS100G8C	DC-8GHz	1.35	/	± 0.75	± 0.75	± 0.75	100	5
RFS100G10C	DC-10GHz	1.40	/	± 0.8	± 0.8	± 0.8	150	5




**TYPE A**



**TYPE B**



<b>2.0</b>	<b>Environment specifications</b>	
<b>2.1</b>	<b>Operation Temp.</b>	<b>-40°C~+85°C</b>
<b>2.2</b>	<b>Storage Temp.</b>	<b>-55°C~+125°C</b>
<b>2.3</b>	<b>Altitude</b>	<b>42000 ft</b>
<b>2.4</b>	<b>Vibration</b>	<b>10g rms (15 degree 2KHz)</b>
<b>2.5</b>	<b>Humidity</b>	<b>100% RH at 35c, 95%RH at 40 deg c</b>
<b>2.6</b>	<b>Shock</b>	<b>20G for 11msc</b>
<b>2.7</b>	<b>Cooling</b>	<b>FAN required for long time operation</b>

PAGE 1 OF 1	DATE MAY 6 <sup>th</sup> 2000
PROPRIETARY INFORMATION THE INFORMATION CONTAINED IN THIS DOCUMENT IS THE PROPERTY OF RF-LAMBDA EXCEPT AS SPECIFICALLY AUTHORIZED IN WRITING BY RF-LAMBDA. THE HOLDER OF THIS DOCUMENT SHALL KEEP ALL INFORMATION CONTAINED HEREIN CONFIDENTIAL AND SHALL PROTECT SAME IN THE WHOLE OR IN PART FROM DISCLOSURE AND DISSEMINATION OF ALL THIRD PARTIES AND SHALL USE SAME FOR OPERATING AND MAINTENANCE PURPOSES ONLY	DESIGN RFPCC
 <b>RFS100GXC COAXIAL FIXED ATTENUATOR</b>	RF-LAMBDA RFPCC
www.rflambda.com	CAD MODEL REVISION 10
RF-LAMBDA	ASSEMBLY REVISION VS52
SIZE LT	ASSEMBLY NAME RFLVR07
SHEETS 1 OF 1	DRAWING NUMBER D05-A