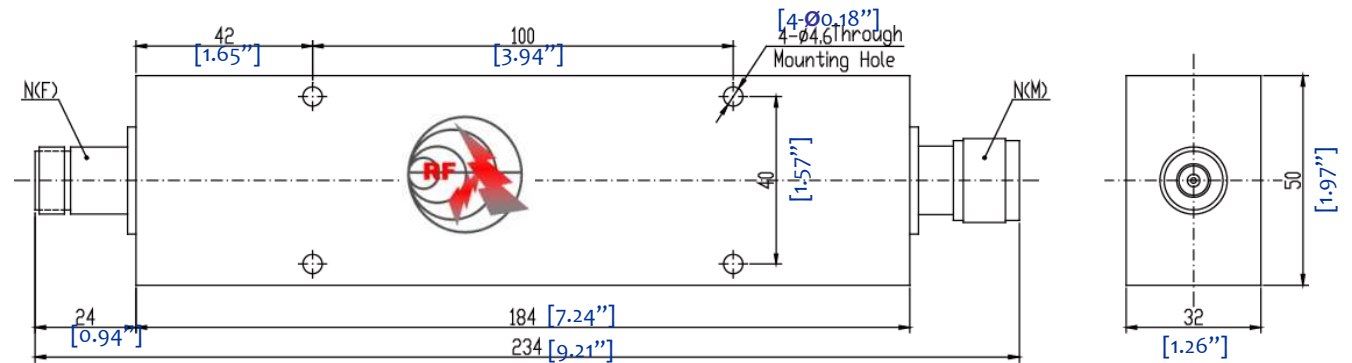


# 100W COAXIAL FIXED EMBEDDED ATTENUATOR

--- **RFSB200GXX**




1.0	Mechanical Specifications	
1.1	Coaxial Connector	N,SMA
1.2	Size	234×50×32mm 9.21"×1.97"×1.26"
1.3	Weight	1.1kg
1.4	External Body Finish	Body painted with gray/black epoxy enamel



2.0	Environment specifications	
2.1	Operation Temp.	-40°C~+85°C
2.2	Storage Temp.	-55°C~+125°C
2.3	Altitude	42000 ft
2.4	Vibration	10g rms (15 degree 2KHz)
2.5	Humidity	100% RH at 35c, 95%RH at 40 deg c
2.6	Shock	20G for 11msc
2.7	Cooling	FAN required for long time operation

3.0	Electrical Specifications					
PN	Frequency (GHz)	Attenuation Accuracy (dB)				VSWR (max.)
		10	20	30	40	
RFSB200G04	DC-4	±0.5	±0.5	±0.5	±0.5	1.25
RFSB200G08	DC-8	/	±0.75	±0.75	±0.75	1.35
RFSB200G10	DC-10	/	±0.75	±0.75	±0.75	1.40

PAGE 1 OF 1	DATE JUN 12 <sup>th</sup> 2009
<small>PROPRIETARY INFORMATION THE INFORMATION CONTAINED IN THIS DOCUMENT IS THE PROPERTY OF RF-LAMBDA EXCEPT AS SPECIFICALLY AUTHORIZED IN WRITING BY RF-LAMBDA. THE HOLDER OF THIS DOCUMENT SHALL KEEP ALL INFORMATION CONTAINED HEREIN CONFIDENTIAL AND SHALL PROTECT SAME IN THE WHOLE OR IN PART FROM DISCLOSURE AND DISSEMINATION OF ALL THIR D PARTIES AND SHALL USE SAME FOR OPERATING AND MAINTENANCE PURPOSES ONLY</small>	DESIGN RFPc
	RF-LAMBDA RFPc
	CAD MODEL REVISION 10
	ASSEMBLY REVISION VS52
	ASSEMBLY NAME RFLV07
DRAWING NUMBER D05-A	
 <b>RFSB200GXX</b> HIGH POWER ATTENUATOR www.rflambda.com	
RF-LAMBDA	SIZE LT SHEETS 1 OF 1