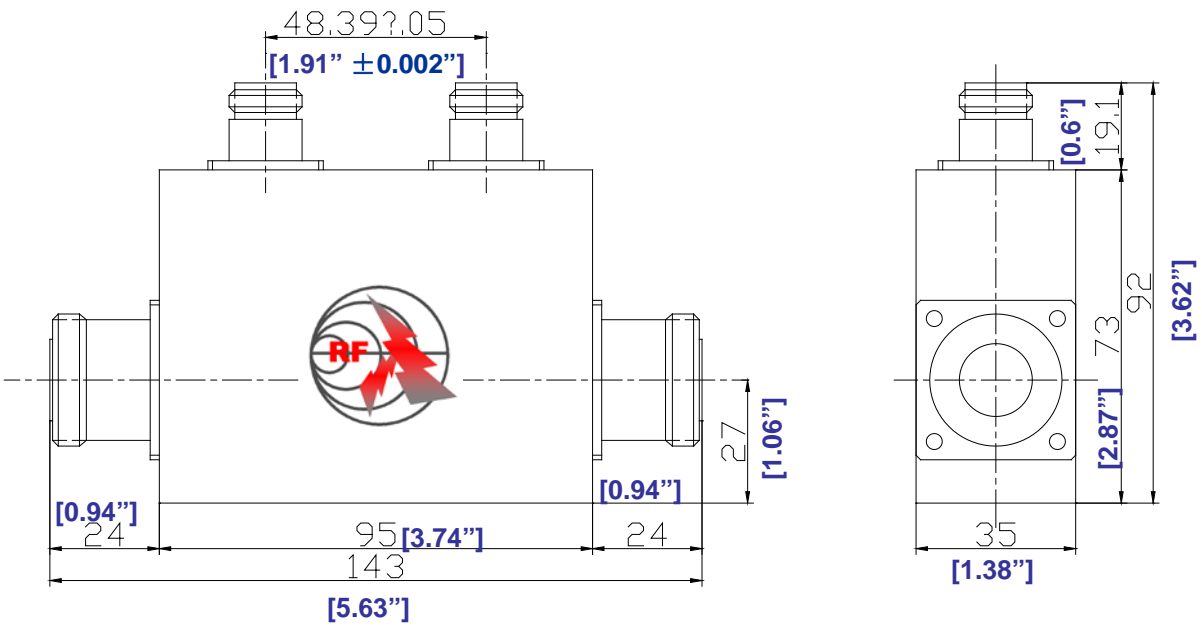


# 4KW HIGH POWER DIRECTIONAL COUPLER ---RFDC1G1G50



1.0 Mechanical Specifications		
1.1	Connector	N Brass, Nickel Plate
1.2	Connect Pins	Beryllium Copper, Gold Plate
1.3	Housing	Aluminum, Gray paint
1.4	Weight	800g
1.5	Insulators	Ptee, Virgin Electrical grade

2.0 Environment specifications		
2.1	Operation Temp.	-40°C~+85°C
2.2	Storage Temp.	-65°C~+150°C
2.3	Altitude	45000 ft
2.4	Vibration	10g rms (15 degree 2KHz)
2.5	Humidity	100% RH at 35c, 95%RH at 40 deg c
2.6	Shock	20G for 11msc

3.0 Electrical Specifications						
Part Number	Freq. (GHz)	Coupling (dB)	Insertion Loss (dB)	Directivity (dB)	Average Power (W)	VSWR
RFDC1G1G50	1.46-1.66	50	0.4	≥18	4000	1.15

PAGE 1 OF 1	DATE Oct 5 2006
PROPRIETARY INFORMATION THE INFORMATION CONTAINED IN THIS DOCUMENT IS THE PROPERTY OF RF-LAMBDA EXCEPT AS SPECIFICALLY AUTHORIZED IN WRITING BY RF-LAMBDA. THE HOLDER OF THIS DOCUMENT SHALL KEEP ALL INFORMATION CONTAINED HEREIN CONFIDENTIAL AND SHALL PROTECT SAME IN THE WHOLE OR IN PART FROM DISCLOSURE AND DISSEMINATION OF ALL THIRD PARTIES AND SHALL USE SAME FOR OPERATING AND MAINTENANCE PURPOSES ONLY.	
<b>RFDC1G1G50</b> <b>4KW HIGH POWER</b> <b>DIRECTIONAL</b> <b>COUPLER</b>	DESIGN RFPC RF-LAMBDA RFPC CAD MODEL REVISION 08 ASSEMBLY REVISION VS4A2 ASSEMBLY NAME RFLVR07 DRAWING NUMBER D05-2
www.rflambda.com	
RF-LAMBDA	SIZE LT SHEETS 1 OF 1