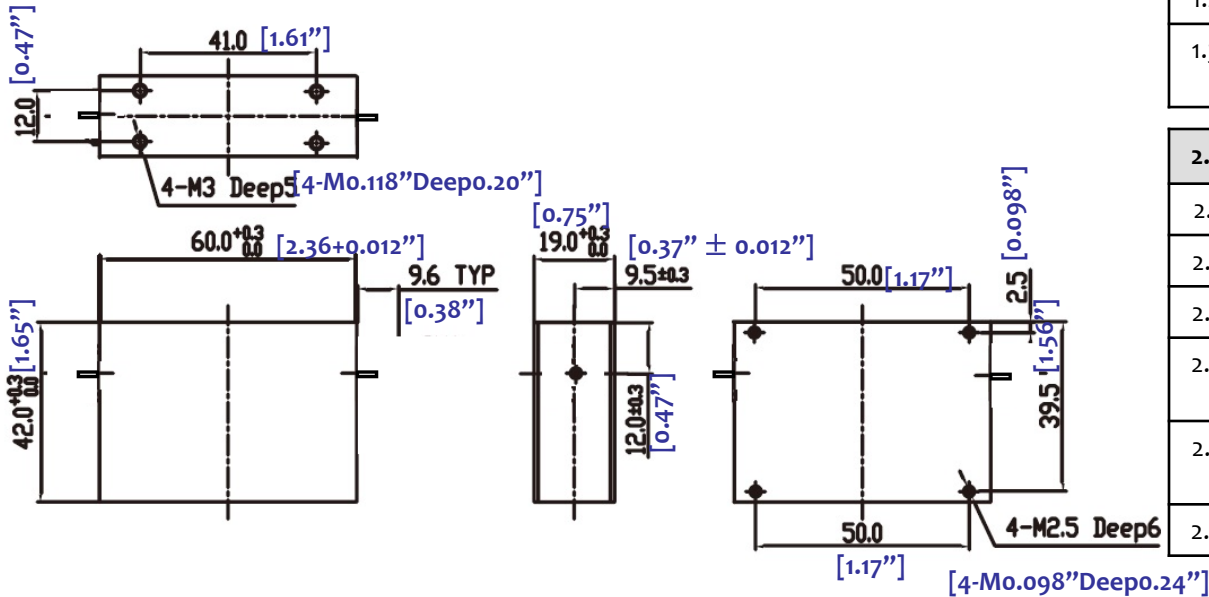



Wide Band Drop-In Isolator 2-6GHz --- RFLI-407-3



1.0 Mechanical Specifications		
1.1	Coaxial Connector	n/a
1.2	External Body Finish	Chromium Plated
1.3	Rotation	Clockwise / Counter-clockwise

2.0 Environment specifications		
2.1	Operation Temp.	-55°C~+85°C
2.2	Storage Temp.	-40°C~+100°C
2.3	Altitude	45000 ft
2.4	Vibration	10g rms (15 degree 2KHz)
2.5	Humidity	100% RH at 35c, 95%RH at 40 deg c
2.6	Shock	20G for 11msc

PN	Frequency (GHz)	Insertion loss (dB)	Isolation (dB) min	VSWR (max)	Power (CW)
RFLI-407-3	2-6	1.2@RoomTemp. 1.8@+85° C 2.3@-55° C,2-2.3GHz 1.8@-55° C,2.3-6GHz	15@Room Temp 12@+85° C/-55° C	1.50	10W

PAGE 1 OF 1	DATE Jan 8 th 2002
<small>PROPRIETARY INFORMATION THE INFORMATION CONTAINED IN THIS DOCUMENT IS THE PROPERTY OF RF-LAMBDA EXCEPT AS SPECIFICALLY AUTHORIZED IN WRITING BY RF-LAMBDA. THE HOLDER OF THIS DOCUMENT SHALL KEEP ALL INFORMATION CONTAINED HEREIN CONFIDENTIAL AND SHALL PROTECT SAME IN THE WHOLE OR IN PART FROM DISCLOSURE AND DISSEMINATION OF ALL THIRD PARTIES AND SHALL USE SAME FOR OPERATING AND MAINTENANCE PURPOSES ONLY.</small>	
 RFLI-407-3 Wide Band Drop-in Isolator	DESIGN RFLC RFL-LAMBDA RFLC CAD MODEL REVISION 02 ASSEMBLY REVISION VS23 ASSEMBLY NAME RFLVRI4 DRAWING NUMBER DoS-12
www.rflambda.com	SIZE LT SHEETS 1 OF 1