



RF-LAMBDA

The power beyond expectations

RKT2G12A80

ROTARY KNOB MANUAL CONTROL STEP ATTENUATOR (DC-12.4GHZ 80DB RANGE)

Product description

Very small package and broadband performance

Adjustable during operation

Excellent Repeatability low deviation

Low Deviation from Nominal Value

50Ω impedance

Higher power is available upon request

Custom Configurations Available Upon Request.

2W CW average power

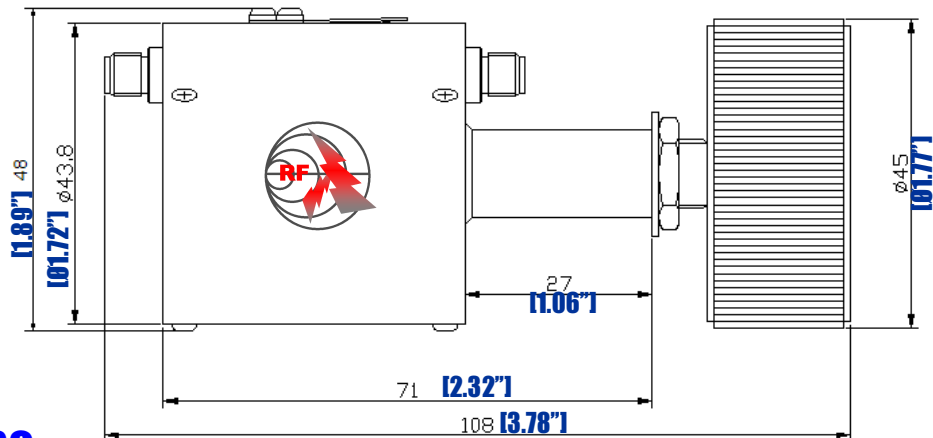
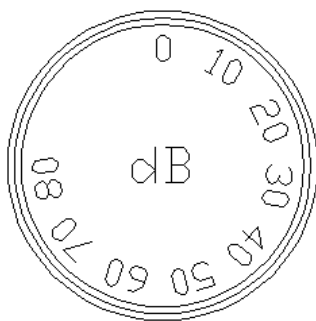
Custom Configurations Available Upon Request.



Applications:

Include Communication, 3G, Digital Transmission, Radar, Military, Broadcast & Television, science & Research department etc.

Part Number	Frequency	Power (Watts)	Attenuation Range (dB)	Attenuation Step (dB)	VSWR max.	Insertion Loss (dB)	Accuracy (dB)
RKT2G12A80	DC-12.40	2	80	10	1.6	<1.5	+/-1.0dB



PN: RKT 2 G X A 80

Manual Control Attenuator
Power Handle In Watt
Freq Unit GHz
Freq Number
Product Type
Attenuation Range

Connector: SMA type, weight: 250g

Temperature (Operational): -10° C~+50° C (Storage) -40° C~+70° C

MANUAL CONTROL ROTARY ATTENUATOR (DC-12.4GHZ 80DB RANGE)