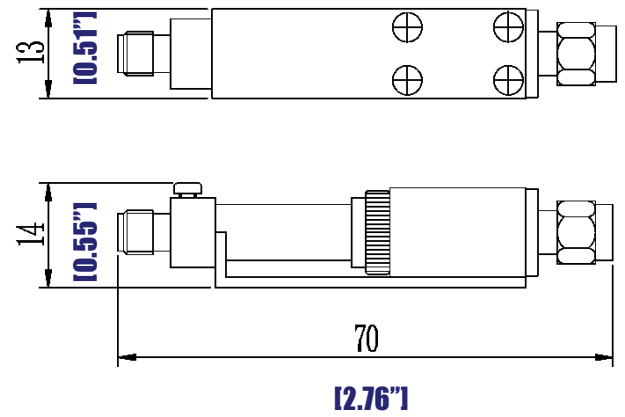


HIGH POWER PHASE SHIFTER

----RFPSHT0006W8



1.0 Mechanical Specifications	
1.1	Coaxial Connector SMA (Male or Female)
1.2	Size 2.76" x 0.51" x 0.55" (70 x 13 x 14mm)
1.3	Weight 50g
1.7	External Body Finish Body painted with golden epoxy enamel

3.0 Electrical Specifications					
Part Number	Frequency Rang (GHz)	Insertion Loss (dB)	Phase Adjustment	Max VSWR	CW / Peak Power (W/KW)
RFPSHT0006W8	DC-6	< 0.75	120°***	1.4	50W CW / 2KW
***Phase Adjustment Range specification ONLY refer to the highest frequency point. Total Phase Adjustment Range is proportion of Frequency range. HALF the frequency range, HALF of the phase adjustment range. (For example 8GHz range 360°, then 4GHz will be 180° total range)					

2.0 Environment specifications		
2.1	Operation Temp.	-10°C~+50°C
2.2	Storage Temp.	-40°C~+70°C
2.3	Altitude	45000 ft
2.4	Vibration	10g rms (15 degree 2KHz)
2.5	Humidity	100% RH at 35c, 95%RH at 40 deg c
2.6	Shock	20G for 11msec

PAGE 1 OF 1 DATE Oct 8th 2006

PROPRIETARY INFORMATION THE INFORMATION CONTAINED IN THIS DOCUMENT IS THE PROPERTY OF RF-LAMBDA EXCEPT AS SPECIFICALLY AUTHORIZED IN WRITING BY RF-LAMBDA. THE HOLDER OF THIS DOCUMENT SHALL KEEP ALL INFORMATION CONTAINED HEREIN CONFIDENTIAL AND SHALL PROTECT SAME IN THE WHOLE OR IN PART FROM DISCLOSURE AND DISSEMINATION OF ALL THIRD PARTIES AND SHALL USE SAME FOR OPERATING AND MAINTENANCE PURPOSES ONLY

RFPSHT0006W8
HIGH POWER
PHASE SHIFTER

www.rflambda.com

RF-LAMBDA SIZE LT SHEETS 1 OF 1