



## Wide Band WAVEGUIDE Power Detector 40GHz-60GHz



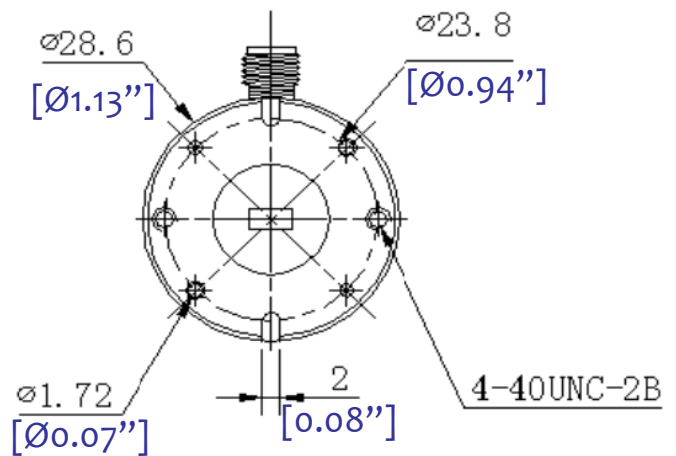
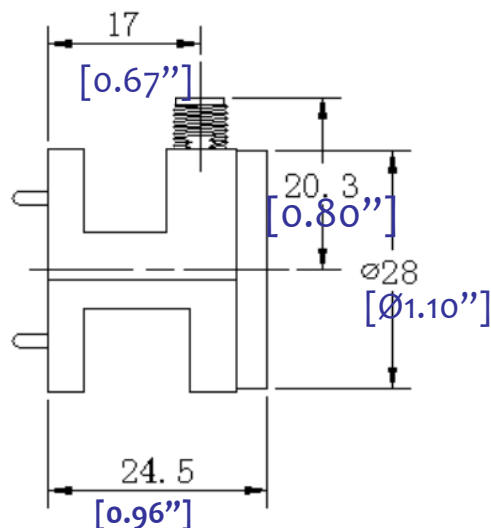
- Wide Band Operation 40GHz-60GHz
- High speed power response.
- High sensitive output level.
- Fast Switching Speed
- Low Insertion Loss good accuracy
- Temperature Range -55°C~+85°C
- Customization available upon request

2.0	Environment specifications	
2.1	Operation Temp.	-40°C~+85°C
2.2	Storage Temp.	-50°C~+125°C
2.3	Altitude	45000 ft
2.4	Vibration	10g rms (15 degree 2KHz)
2.5	Humidity	100% RH at 35c, 95%RH at 40 deg c
2.6	Shock	20G for 11msc

3.0	Electrical Specifications	
3.1	Frequency	40-60GHz
3.2	Input Power	+20dBm
3.3	Frequency Response Flatness	+/-1.5dB Typ. +/-1.8dB Max.
3.4	Low Level Sensitivity	0.30 min (mV/uW) 0.40 Typ. (mV/uW)



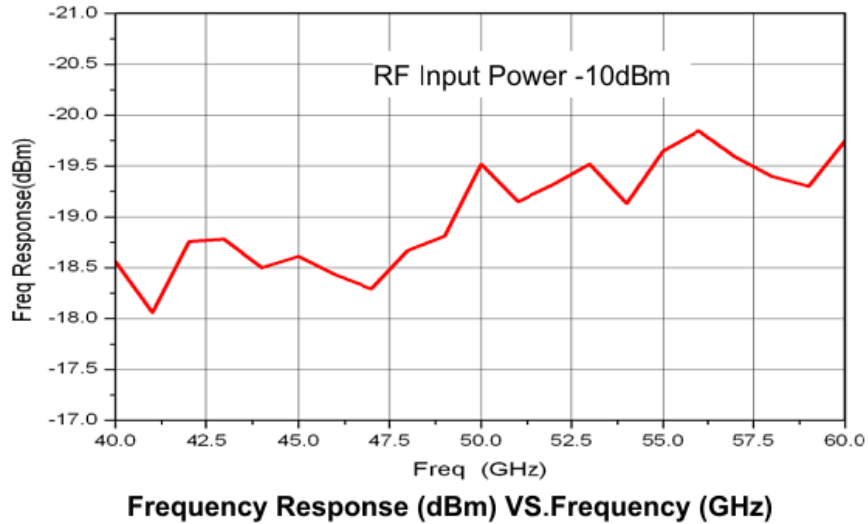
1.0	Mechanical Specifications	
1.1	Basis-material	Brass
1.2	Connector	SMA-Female
1.3	External Body Finish	Nickel plating



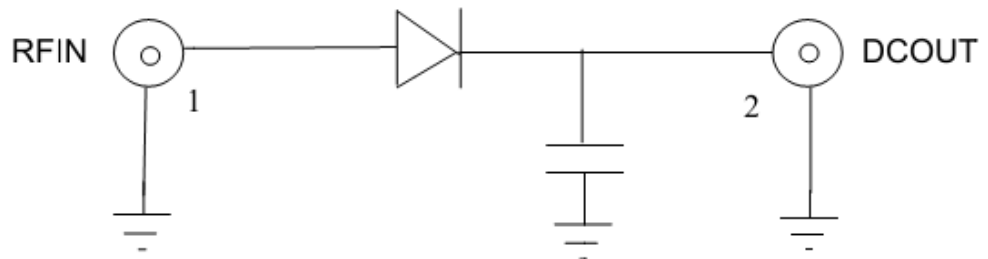
Wide Band WAVEGUIDE Power Detector 40GHz-60GHz



## Typical performance: (Condition: $T_a = 25^\circ\text{C}$ )



## Functional Diagram:



### Important Notice

The information contained herein is believed to be reliable. RF-Lambda makes no warranties regarding the information contained herein. RF-Lambda assumes no responsibility or liability whatsoever for any of the information contained herein. RF-Lambda assumes no responsibility or liability whatsoever for the use of the information contained herein. The information contained herein is provided "AS IS, WHERE IS" and with all faults, and the entire risk associated with such information is entirely with the user. All information contained herein is subject to change without notice. Customers should obtain and verify the latest relevant information before placing orders for RF-Lambda products. The information contained herein or any use of such information does not grant, explicitly or implicitly, to any party any patent rights, licenses, or any other intellectual property rights, whether with regard to such information itself or anything described by such information.

RF-Lambda products are not warranted or authorized for use as critical components in medical, life-saving, or life sustaining applications, or other applications where a failure would reasonably be expected to cause severe personal injury or death.