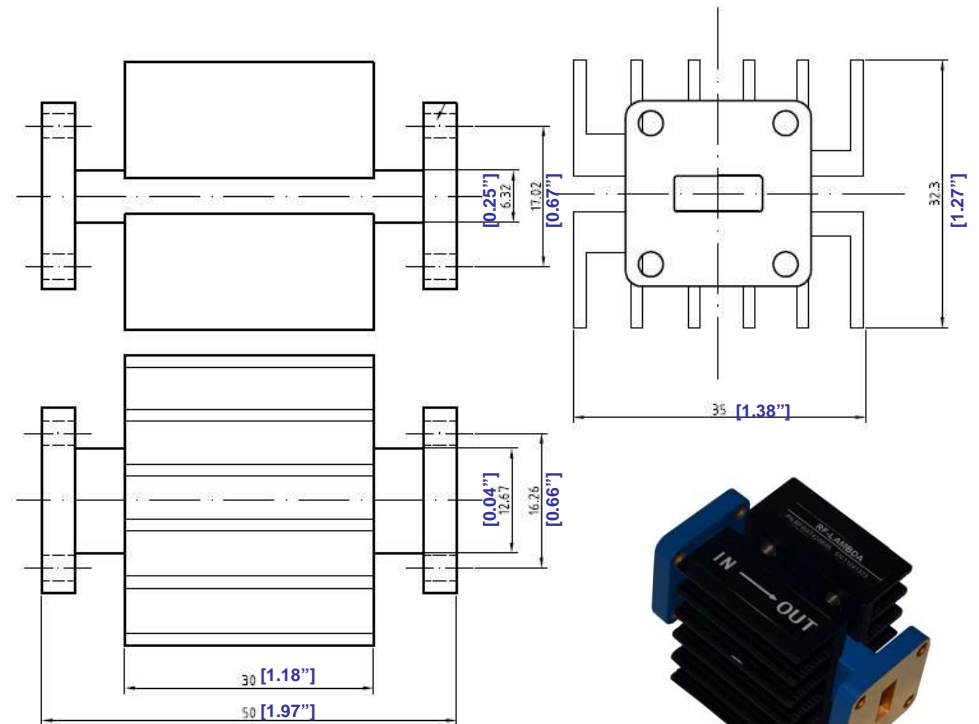
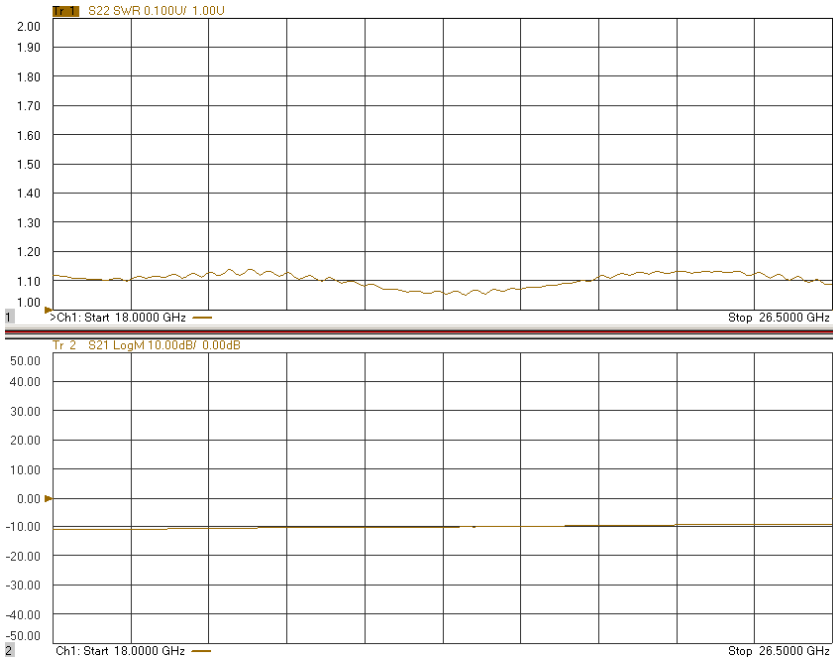



# WAVEGUIDE WR42 5W ATTENUATOR – RFWAT42W005



1.0	Mechanical Specifications	
1.1	Waveguide type	Rectangular Waveguide WR42
1.2	Flange type	CPRG, CPRF, COVER, CHOKE available
1.3	Flange Holes	Through
1.4	Basis-material	Alloyed Cuprum 0.1kg
1.5	Internal Finish	Silver Plated chromate or conversion
1.6	External Finish	Body painted with gray/black epoxy enamel

2.0	Environment specifications	
2.1	Operation Temp.	-40°C~+85°C
2.2	Storage Temp.	-60°C~+125°C
2.3	Altitude	45000 ft
2.4	Vibration	10g rms (15 degree 2KHz)
2.5	Humidity	100% RH at 35c, 95%RH at 40 deg c
2.6	Shock	20G for 11msc

3.0	Electrical Specifications	
3.1	Frequency	17.6-26.7GHz
3.2	Power	5W (CW)
3.3	Peak Power	1KW (8us pulse)
3.4	Attenuation	3dB~50dB
3.5	VSWR	1.20:1 (type.)

PAGE 1 OF 1		DATE Sep 20 <sup>th</sup> 2005
<small>PROPRIETARY INFORMATION THE INFORMATION CONTAINED IN THIS DOCUMENT IS THE PROPERTY OF RF-LAMBDA EXCEPT AS SPECIFICALLY AUTHORIZED IN WRITING BY RF-LAMBDA. THE HOLDER OF THIS DOCUMENT SHALL KEEP ALL INFORMATION CONTAINED HEREIN CONFIDENTIAL AND SHALL PROTECT SAME IN THE WHOLE OR IN PART FROM DISCLOSURE AND DISSEMINATION OF ALL THIRD PARTIES AND SHALL USE SAME FOR OPERATING AND MAINTENANCE PURPOSES ONLY</small>		DESIGN RFPC
		RF-LAMBDA RFPC
 <b>RFWAT42W005 WAVEGUIDE ATTENUATOR</b>		CAD MODEL REVISION 11
		ASSEMBLY REVISION V5SDS
		ASSEMBLY NAME RFLVR05
<a href="http://www.rflambda.com">www.rflambda.com</a>		DRAWING NUMBER D05-1
<b>RF-LAMBDA</b>		SIZE LT
		SHEETS 1 OF 1