

WR-90 Waveguide High Power Termination 8.2-12.4GHz



Note: The Photo is for illustration purposes only.
Please refer to the outline drawing.

Features

- Full band operation
- Low loss
- Low VSWR

Typical Applications

- Test and Measurement
- Wireless Infrastructure
- Military and Defense

Electrical Specifications

| Parameters | Min. | Typ. | Max. | Units |
|----------------------|---------------------|------|------|-------|
| Frequency Range | 8.2 | | 12.4 | GHz |
| VSWR | | | 1.25 | :1 |
| Power Handling (Avg) | | | 300 | W |
| Impedance | 50 | | | Ω |
| Waveguide Type | WR90 | | | |
| Flange Type | UG135/U | | | |
| Material | Copper / Brass | | | |
| Inside Finish | Passivation | | | |
| Outside Finish | Anticorrosion Paint | | | |

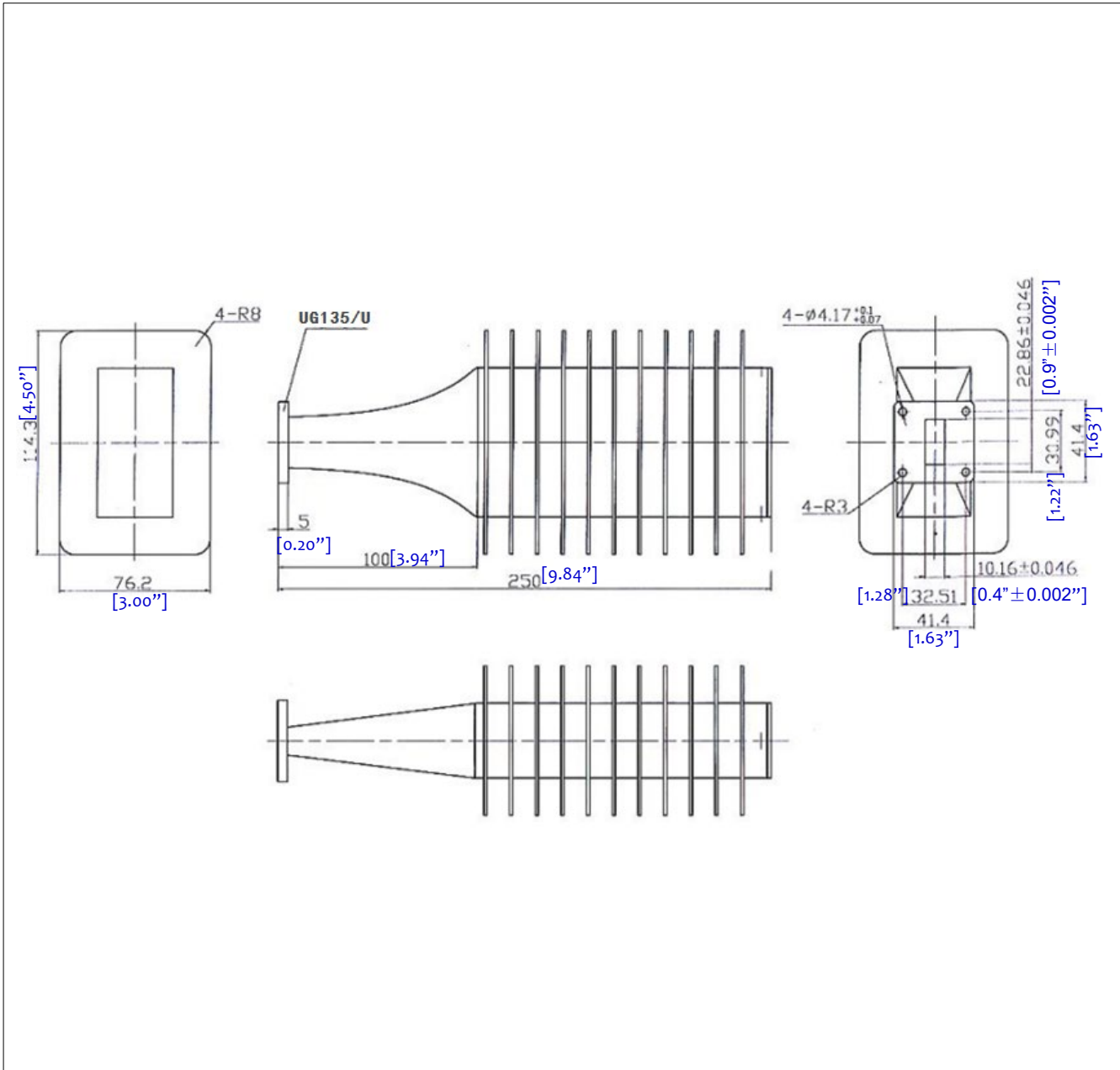
WR-90 Waveguide High Power Termination 8.2-12.4GHz

Environmental Specifications and Test Standards

| Parameter | Description |
|--------------------------------|---|
| Operational Temperature | -20°C~+70°C (Case Temperature) |
| Storage Temperature | -60°C~+125°C |
| Thermal Shock | -20°C~+70°C (5 Cycles / 10 hours) |
| Random Vibration | MIL-STD-202G Table 214-I, Test Condition Letter C 1.5 Hours Per Axis |
| High Temperature Burn In | Temperature +85°C for 72 Hours |
| Shock | 1. Weight >20g, 50g half sine wave for 11ms, Speed variation 3.44m/s 2. Weight <=20g, 100g Half sine wave for 6ms, Speed variation 3.75m/s 3. Total 18 times (6 directions, 3 repetitions per direction). |
| Altitude | Standard: 30,000 Ft (Epoxy Sealed Controlled Environment) Optional: Hermetically Sealed (60,000 ft. 1.0 PSI min) |
| Hermetically Sealed (Optional) | MIL-STD-883 (For Hermetically Sealed Units) |

Outline Drawing:

All Dimensions in mm [inches]



WR-90 Waveguide High Power Termination 8.2-12.4GHz

Important Notice

The information contained herein is believed to be reliable. RF-Lambda makes no warranties regarding the information contained herein. RF-Lambda assumes no responsibility or liability whatsoever for any of the information contained herein. RF-Lambda assumes no responsibility or liability whatsoever for the use of the information contained herein. The information contained herein is provided "AS IS, WHERE IS" and with all faults, and the entire risk associated with such information is entirely with the user. All information contained herein is subject to change without notice. Customers should obtain and verify the latest relevant information before placing orders for RF-Lambda products. The information contained herein or any use of such information does not grant, explicitly or implicitly, to any party any patent rights, licenses, or any other intellectual property rights, whether with regard to such information itself or anything described by such information. RF-Lambda products are not warranted or authorized for use as critical components in medical, life-saving, or life sustaining applications, or other applications where a failure would reasonably be expected to cause severe personal injury or death.