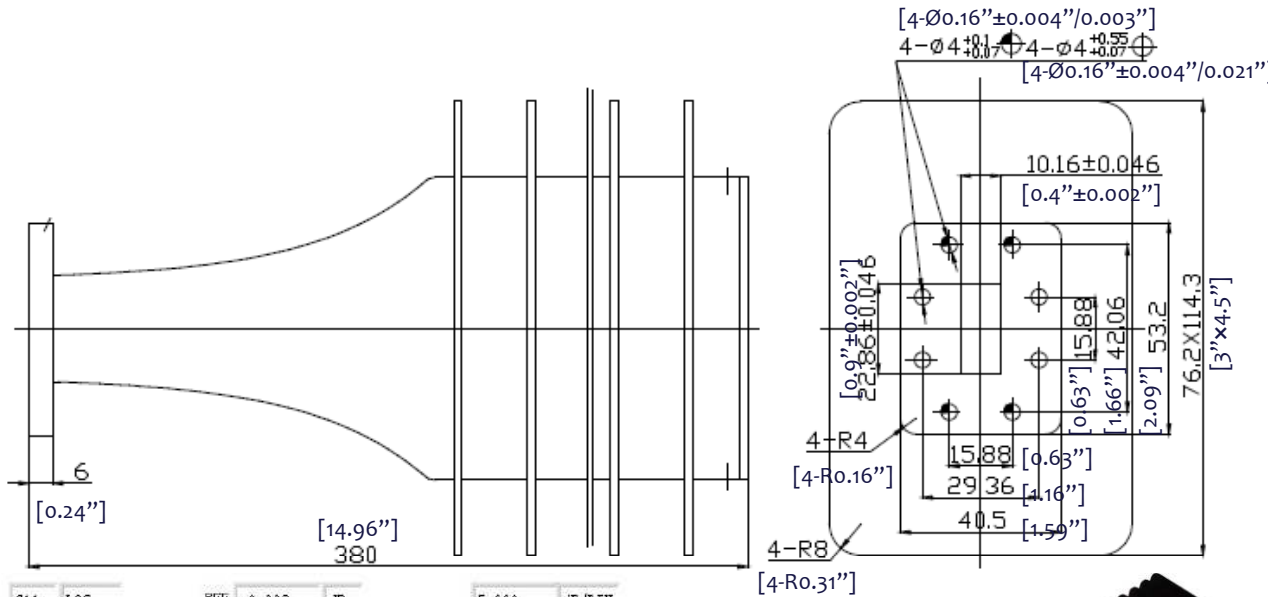
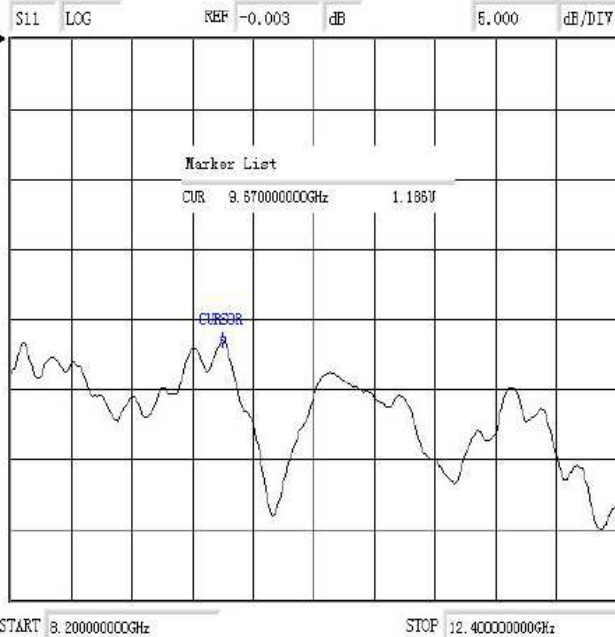


WR90 WAVEGUIDE 500W HIGH POWER TERMINATION- RFWT90F




1.0 Mechanical Specifications	
1.1	Waveguide type Rectangular Waveguide WR90
1.2	Flange type CPRF, COVER
1.3	Flange Holes Through
1.4	Basis-material Brass
1.5	Internal Body Finish Silver Plated chromate or conversion
1.6	External Body Finish Body painted with gray/black epoxy enamel

3.0 Electrical Specifications	
3.1	Frequency 8.2-12.4GHz
3.2	Average Power 500W (CW)
3.3	VSWR 1.25:1 (max)
3.4	Peak Power 4000W



2.0 Environment specifications	
2.1	Operation Temp. -40°C~+85°C
2.2	Storage Temp. -50°C~+125°C
2.3	Altitude 45000 ft
2.4	Vibration 10g rms (15 degree 2KHz)
2.5	Humidity 100% RH at 35c, 95%RH at 40 deg c
2.6	Shock 20G for 11msc

PAGE 1 OF 1	DATE Jun 21 st 2006
<small>PROPRIETARY INFORMATION THE INFORMATION CONTAINED IN THIS DOCUMENT IS THE PROPERTY OF RF-LAMBDA EXCEPT AS SPECIFICALLY AUTHORIZED IN WRITING BY RF-LAMBDA. THE HOLDER OF THIS DOCUMENT SHALL KEEP ALL INFORMATION CONTAINED HEREIN CONFIDENTIAL AND SHALL PROTECT SAME IN THE WHOLE OR IN PART FROM DISCLOSURE AND DISSEMINATION OF ALL THIRD PARTIES AND SHALL USE SAME FOR OPERATING AND MAINTENANCE PURPOSES ONLY</small>	DESIGN RFPC
 RFWT90F WAVEGUIDE TERMINATION	RF-LAMBDA RFPC
	CAD MODEL REVISION 11
	ASSEMBLY REVISION VS5DS
	ASSEMBLY NAME RFLVR05
www.rflambda.com	DRAWING NUMBER D05-1
RF-LAMBDA	SIZE LT SHEETS 1 OF 1