



700W WR90 Waveguide Attenuator 8.2 – 12.4GHz



Note: The photo is for illustration purposes only.
Please refer to the outline drawing.



Features

- Waveguide Attenuator.
- 30dB ±2dB
- 700W Power Handling.

Typical Applications

- Radar Applications.
- Military and Defense.
- Wireless Infrastructure

Electrical Specifications , $T_A=25\text{ }^\circ\text{C}$

Parameters	Min.	Typ.	Max.	Units
Frequency Range	8.2		12.4	GHz
VSWR			1.25	: 1
Attenuation	30dB ±2dB			
Power Handling			700	W
Waveguide Type	WR90			
Flange Type	CPRG, CPRF, COVER, CHOKE available			
Flange Holes	Through			
Basis-material	Alloyed Cuprum 0.1kg			
Finish	Internal Body	Silver Plated chromate or conversion		
	External Body	Body painted with gray / Black epoxy enamel		

700W WR90 Waveguide Attenuator 8.2 – 12.4GHz



Environmental Specifications and Test Standards

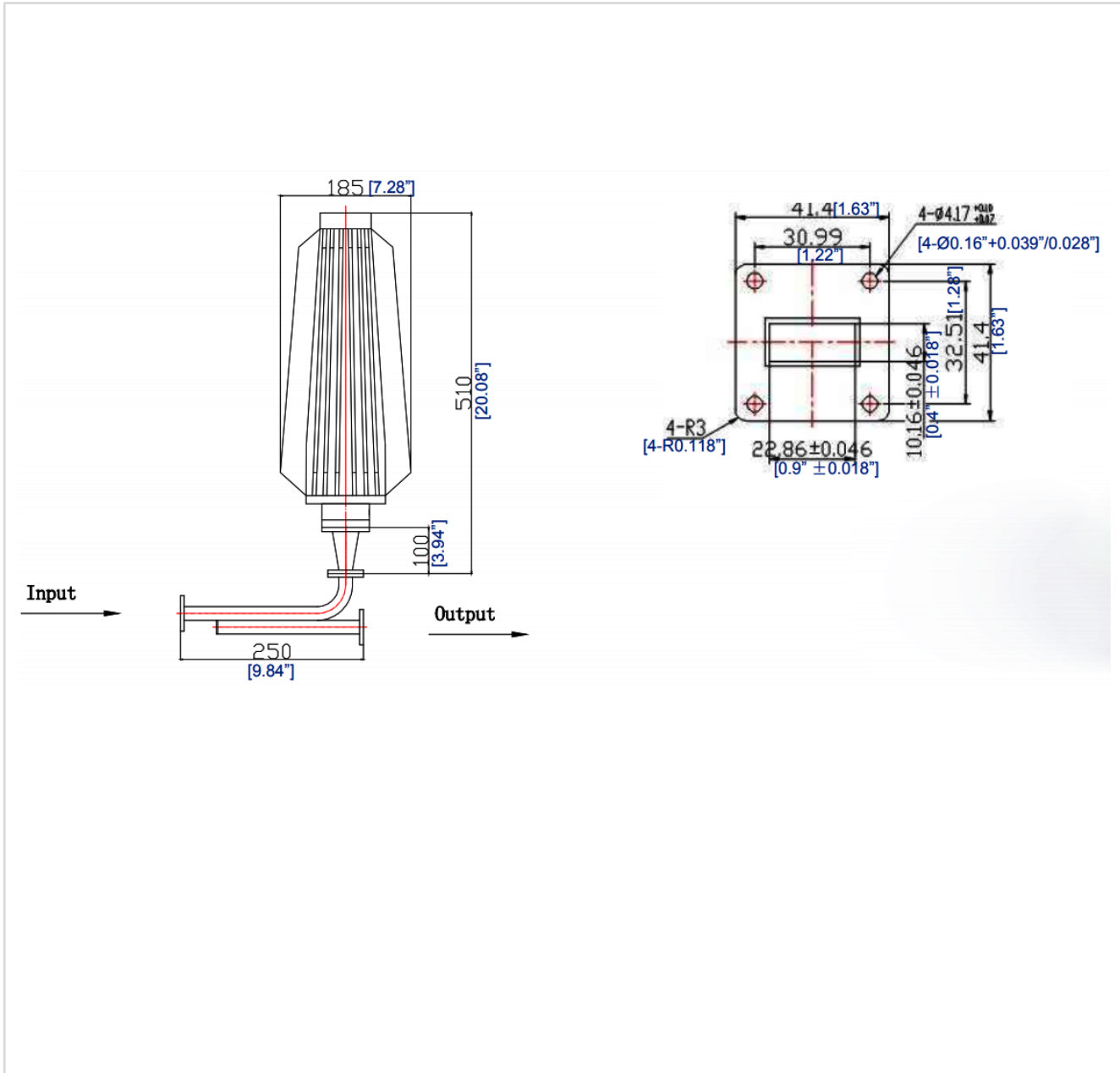
Parameter	Standard	Description
Operational Temperature	MIL-STD-39016	-40°C~+85°C
Storage Temperature		-60°C~+125°C
Thermal Shock		1 Hour@ -45°C → 1 Hour @ +85°C (5 Cycles)
Random Vibration		Acceleration Spectral Density 6 (m/s) Total 92.6 RMS
Electrical & Temperature Burn In		Temperature +85°C for 72 Hours
Shock		1. Weight >20g, 50g half sine wave for 11ms, Speed variation 3.44m/s 2. Weight <=20g, 100g Half sine wave for 6ms, Speed variation 3.75m/s 3. Total 18 times (6 directions, 3 repetitions per direction).
Altitude		Standard: 30,000 Ft (Epoxy Sealed Controlled Environment) Optional: Hermetically Sealed (60,000 ft. 1.0 PSI min)
Hermetically Sealed (Optional)	MIL-STD-883	MIL-STD-883 (For Hermetically Sealed Units)

700W WR90 Waveguide Attenuator 8.2 – 12.4GHz



Outline Drawing:

All Dimensions in mm [inches]



700W WR90 Waveguide Attenuator 8.2 – 12.4GHz

Important Notice

The information contained herein is believed to be reliable. RF-Lambda makes no warranties regarding the information contained herein. RF-Lambda assumes no responsibility or liability whatsoever for any of the information contained herein. RF-Lambda assumes no responsibility or liability whatsoever for the use of the information contained herein. The information contained herein is provided "AS IS, WHERE IS" and with all faults, and the entire risk associated with such information is entirely with the user. All information contained herein is subject to change without notice. Customers should obtain and verify the latest relevant information before placing orders for RF-Lambda products. The information contained herein or any use of such information does not grant, explicitly or implicitly, to any party any patent rights, licenses, or any other intellectual property rights, whether with regard to such information itself or anything described by such information. RF-Lambda products are not warranted or authorized for use as critical components in medical, life-saving, or life sustaining applications, or other applications where a failure would reasonably be expected to cause severe personal injury or death.