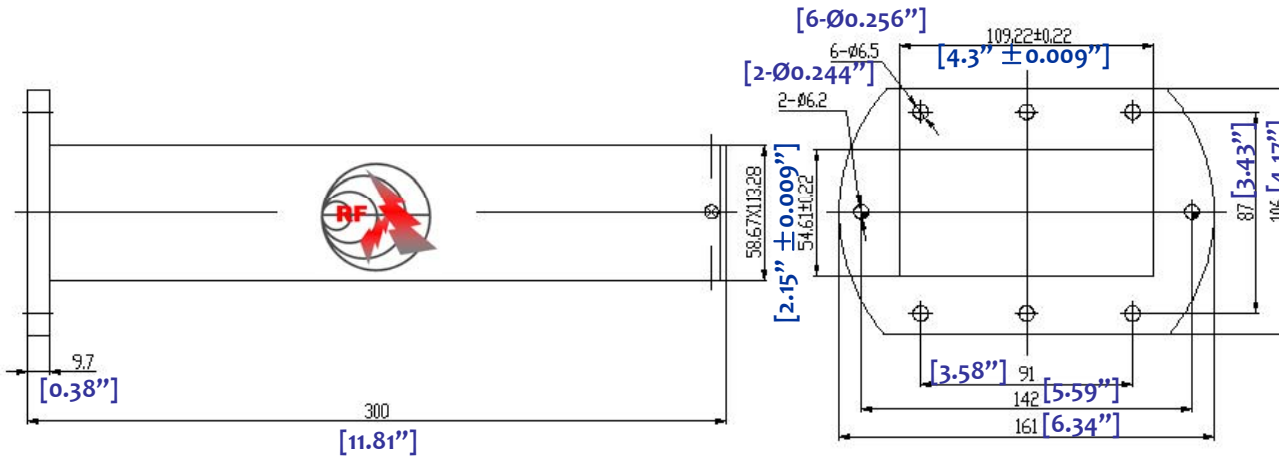



# WR430 WAVEGUIDE 500W HIGH POWER TERMINATION – RFWT430D



1.0 Mechanical Specifications		
1.1	Waveguide type	Rectangular Waveguide WR430
1.2	Flange type	CPRF, COVER
1.3	Flange Holes	Through
1.4	Basis-material	Alloyed Cuprum
1.5	Internal Body Finish	Silver Plated chromate or conversion
1.6	External Body Finish	Body painted with gray/black epoxy enamel

2.0 Environment specifications		
2.1	Operation Temp.	-40°C~+85°C
2.2	Storage Temp.	-50°C~+125°C
2.3	Altitude	45000 ft
2.4	Vibration	10g rms (15 degree 2KHz)
2.5	Humidity	100% RH at 35c, 95%RH at 40 deg c
2.6	Shock	20G for 11msc

3.0 Electrical Specifications		
3.1	Frequency Range	1.7~2.6GHz
3.2	Average Power	500W (CW)
3.5	VSWR	1.20:1 (max)

PAGE 1 OF 1	DATE Jun 21 <sup>st</sup> 2006
PROPRIETARY INFORMATION THE INFORMATION CONTAINED IN THIS DOCUMENT IS THE PROPERTY OF RF-LAMBDA EXCEPT AS SPECIFICALLY AUTHORIZED IN WRUTUBS BY RF-LAMBDA. THE HOLDER OF THIS DOCUMENT SHALL KEEP ALL INFORMATION CONTAINED HEREIN CONFIDENTIAL AND SHALL PROTECT SAME IN THE WHOLE OR IN PART FROM DISCLOSURE AND DISSEMINATION OF ALL THIRD PARTIES AND SHALL USE SAME FOR OPERATING AND MAINTENANCE PURPOSES ONLY	
 <b>RFWT430D</b> <b>WAVEGUIDE</b> <b>TERMINATION</b>	DESIGN RFPC RF-LAMBDA RFPC CAD MODEL REVISION 11 ASSEMBLY REVISION VS5DS ASSEMBLY NAME RFLVR05 DRAWING NUMBER D05-1
www.rflambda.com	SHEETS 1 OF 1
RF-LAMBDA	SIZE LT